

Dual-spectrum Explosion-proof PTZ Camera

TE464T1



Product Features

- Adopt a new 12 μ m infrared detector with advanced algorithms for clearer, longer-range imaging.
- Visible imaging and thermal imaging can meet the requirement for 24/7 security monitoring.
- Support VCA such as cross line detection and intrusion detection.
- Support professional temperature measurement analysis tools and smart fire detection algorithm.
- Dual explosion-proof certification, explosion-proof standard:Ex d IIC T6 Gb/Ex tD A21 IP68 T80 $^{\circ}$ C.
- 304/316L stainless steel body design with encapsulation rating IP68.
- Provide compatible NVR and software, supports ONVIF and other standard interface protocols, and offer SDK for secondary development.

Product Specifications

Technical Specifications		Dual-spectrum Explosion-proof PTZ Camera	
Thermal	Sensor Type	VOx uncooled FPA detector	
	Spectral Range	8~14μm	
	NETD	≤40mK(@25°C,F#1.0,25Hz)	
	Max. Resolution	640*512	
	Pixel Pitch	12μm	
	Focal Length	13mm	25mm
	Focus Mode	Fixed, motorized focus	
	FOV	33°×26°	17.5°×14°
	F number	F1.0	
	Spatial Resolution	0.92mrad	0.480mrad
	Color Palettes	20 modes selectable such as Blackhot/Whitehot/Rainbow,etc.	
Visible	Image sensor	1/1.8inch 4MP CMOS	
	Max. Resolution	2688×1520	
	Focal Length	6.5mm~130mm	
	Focus Mode	Auto/Manual/Semi-auto	
	FOV	59.6°×35.9°~ 3.2°×1.8°	
	WDR	≥ 55dB	
	Day /Night	ICR	
PTZ	Defog	Support optical defog	
	Pan Range	360° continuous	
	Pan Speed	0.1°~40°/s	
	Tilt Range	-90°~+90°	
	Tilt Speed	0.1°~40°/s	
Network	Scan Mode	Preset/Tour/Scan Patrol/Linear Scan/Pattern	
	Protocols	TCP/IP,UDP,ICMP,HTTP,HTTPS,FTP,DHCP,DNS,RTP,RTSP,RTCP,IGMP,SMTP, NTP, QoS	
	Interoperability	ONVIF/GB28181/SDK	
	Simultaneous live view	Up to 20 channels	
	User Management	Up to 20users, 2 levels: Administrator and User	
Video	Browser	Support IE, Edge, Chrome, Firefox, and other browsers	
	Max. Resolution	2688×1520 (Visible) 1280×1024 (Thermal)	
	Image Encoding	JPEG	

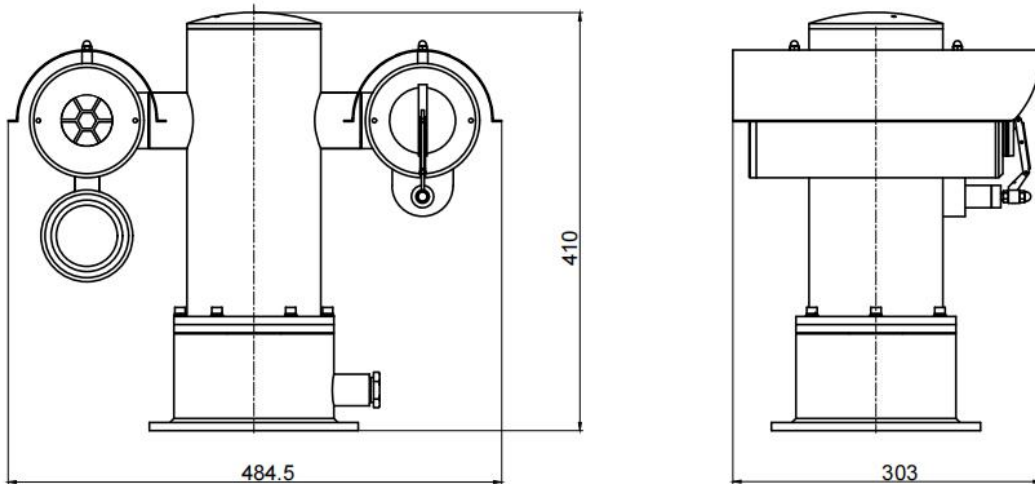
Technical Specifications		Dual-spectrum Explosion-proof PTZ Camera
	Format	
	Audio Compression	G.711A/G.711Mu/PCM/AAC/MPEG2-Layer2
	Video Compression	H.264/H.265/MJPEG
	Main Stream	Visible: 50Hz:25fps(2688×1520,1920×1080,1280×720) 60Hz:30fps(2688×1520,1920×1080,1280×720) Thermal: 50Hz:25fps(1280×1024,1280×720,1024×768)
	Sub Stream	Visible: 50Hz:25fps(1920×1080,1280×720,704×576,352×288) 60Hz:30fps(1920×1080,1280×720,704×480,352×240)Thermal: 50Hz:25fps(640×512,384×288)
	Measurement Range	-20℃~+550℃
Temperature Measurement	Measurement Accuracy	±2℃ or ±2%, the larger value shall prevail
	Measurement Analysis	Temperature measurement tools(Global, Point, Line, Area) and linkage alarm
	Fire Detection	Yes
Smart Function	Smart Record	Alarm trigger recording, disconnection trigger recording
	Smart Alarm	Support alarm trigger of network disconnection, IP address conflict, full memory, memory error, illegal access and burn
	VCA	Cross line detection, intrusion detection
	Alarm Linkage	Recording/Image capture/Sending Email/PTZ linkage/Alarm output
	Power Supply	AC85V~260V
System Interface	Communication Interface	RJ45 self-adaptive 10M/100M Ethernet port
	Storage Interface	Support Micro SD card (Max.256G)
	RS485	1 channel
	Operating Conditions	-40℃~+60℃; <90%RH
General	Encapsulation Rating	IP68
	Power Consumption	≤100W(thermostat activated)
	Dimensions(mm)	484.5×303×410mm
	Weight	27KG
	Explosion-proof Standard	Exd IIC T6 Gb/Ex tD A21 IP68 T80℃

Effective Range

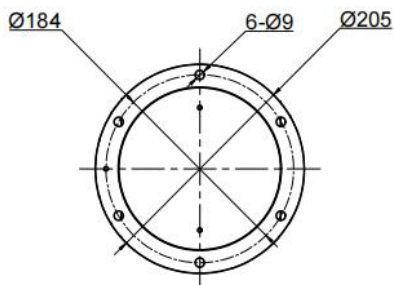
The recommended distance of detecting, recognizing and identifying for man (1.8×0.5m) and vehicle (1.4×4.0m) are as follows:

Lens	DD (Vehicle)	DD (Man)	RD (Vehicle)	RD (Man)	ID (Vehicle)	ID (Man)
13mm	1661m	542m	415m	135m	208m	68m
25mm	3194m	1042m	799m	260m	399m	130m

Structural Drawings



Mounting Dimensions :



This datasheet is subject to change without prior notice. Please contact us to get the latest datasheet.